

2025

Gymkhana Series

90 Green Hill Road, Barrington, NH 03825

Club Officers

President: Tim Comoits	<u>timcomtois@yahoo.com</u>
Treasurer: Patty Milano	<u>npmilano@atlanticbb.net</u>
VP Pleasure: Mary Bowen	<u>maryfbowen1228@gmail.com</u>
VP Mini/Pony: Jolene Trefethen	<u>silvanestielf@yahoo.com</u>
VP Gymkhana: Kelsey Comtois	<u>kelseycomtois14@icloud.com</u>
Membership Coordinator: Krista Zachary	<u>kristazachary@Ymail.com</u>
Recording Secretary: Jennifer Souther	<u>jenniferdew22@yahoo.com</u>
Corresponding Secretary: Elisabeth Bateman	<u>elisabeth.bateman@gmail.com</u>

Board of Directors

Donna Jane Colby	<u>funnyfarmnorth@hotmail.com</u>
Patty Milano	<u>npmilano@atlanticbb.net</u>
Dawn Marie Hernadez	<u>bhsequine@gmail.com</u>
Stephanie Houston	<u>Stephanie.Houtson@yahoo.com</u>
Hannah Hatcher	<u>hahatcher07@gmail.com</u>

NBARH RIDING CLUB GENERAL SHOW AND FACILITIES RULES

All participants, including riders, handlers, and spectators, are responsible for a thorough knowledge of and compliance with these rules and policies, as well as those stated elsewhere in the show book and in the constitution and by-laws of the club. In the event of a problem of any kind, please notify the show manager immediately. The show manager will make a ruling for that show only and bring it to the next meeting for a permanent decision. If you are not satisfied with the ruling, you may contact any of the Board of Directors. NBARH is an open breed club and therefore specific breed club rules may not apply at our shows.

SHOWGROUND RULES

1. **ABSOLUTELY NO ALCOHOLIC BEVERAGES ALLOWED ON THE SHOW GROUNDS AT ANY TIME!**
2. Manure and hay scraps must be picked up from around your trailer and taken home with you. Containers may be provided for use in cleaning up the common areas only. Anyone caught throwing manure into our adjoining properties/into the woods will be penalized with loss of show points for the season. Trash is also carry in-carry out.
3. We **REQUIRE ALL** riders and drivers to wear ASTM-SEI approved headgear at all times, with the harness fastened, while mounted or in carriage on the showgrounds, regardless of age or discipline. A rider or handler will not be marked down in any class for wearing a helmet regardless of age of rider or style of helmet. Any rider violating this rule will be prohibited from riding until the appropriate headgear is in place, properly adjusted, and fastened.
4. An adult must accompany small children at all times and is responsible for not just the child's safety, but also that of the horses and handlers a child may frighten or disturb.
5. All dogs must be tied, in a car with the windows down, or on a leash at all times for the safety of the dog, horses, handlers, and the general public.
6. No rider/handler shall do more than a brisk walk on the grounds except in the warm-up area.
7. The show ring is closed to schooling except at the lunch break. Riders may use the back ring to warm up at any time.
8. Riders/handlers aged 16 years and older may handle a stallion in individual classes in a closed ring. The stallion must be under the exclusive control of an adult 18 years or older at all times outside the ring and before and after the gate is closed. Any rider/handler showing a stallion in a group class must be 18 years or older. The first violation of this rule as determined by the show management will result in immediate expulsion of the stallion from the show grounds for the rest of the year. **STALLIONS MUST WEAR A VISIBLE YELLOW RIBBON IN THEIR TAIL WHILE ANYWHERE ON THE SHOW GROUNDS.** Weanlings are not considered stallions; only intact horses one year or older (as of January 1st) are considered stallions.

9. Any horse known to kick must wear a red ribbon in their tail at all times while on show grounds. Please use caution when approaching a horse with a red ribbon.
10. NBARH encourages the humane treatment of all equines and assumes that you will not use any severe equipment. Show management and judges reserve the right to determine if equipment is severe and what penalty will be imposed should it be found so.
11. All shows are held rain or shine. In the case of heavy rain (causing unsafe footing) and/or lightning, the show may be stopped temporarily or for the remainder of the show. In the case of a show being cancelled prior to start time be sure to check our facebook pages for updates.
12. Non-members are not allowed to ride on show grounds on non-show days.

REGISTRATION

1. **Coggins** - A negative Coggins report dated within the last year from show date is required at registration for ALL horses. No horse should be unloaded on club grounds before the negative Coggins report has been checked by show management. Please present a clear copy of your Coggins report for every horse at the time of your first registration and we will keep copies on file. No horse will be allowed to show and will be asked to leave if the paperwork is not available or if it does not match the horse. A rabies vaccination is not required, but is highly recommended.
2. **Membership** - You may join and pay for membership the day of a show and receive membership rates for that show and future shows in the calendar year. New members are eligible for benefits the day they become members, including reduced class fees and accumulated year-end points. However, membership is not retroactive and all points earned before becoming a member will not count towards year-end awards or eligibility. Members who do not complete their volunteer hours prior to the August gymkhana will be charged an additional \$25 for membership the following year and forfeit banquet points and awards. Volunteer hours will need to be done by the member or an immediate family member only (no "sharing" friend's hours). **Fall clean up hours will count toward the following year membership!**
3. **Entries** - Pre-entries must be received by 8pm the Wednesday before the scheduled show. Please feel free to enter for all four shows at the beginning of the year-you do not have to pay at the time of pre-registration and there is no penalty for scratching. Phone entries will not be accepted. Any entries received after this deadline or on the day of the show will be subject to the post-entry fee of \$10 per horse/handler team. Entry forms must have the complete name, address, and phone number of the rider/handler.
4. Age of rider is that as of January 1st of the show year. Exhibitor MUST enter age division accordingly.
5. Each entry is based on one rider/horse combination. (The same horse cannot enter the same division against itself). That is, if members are lucky enough to have two horses or a few kids showing, one needs to fill out entirely separate entry forms, pay separate office fees (\$5 per combination) and get unique numbers if applicable.
6. Classes, including any add-ons, must be paid for before the class begins. Pre-entries do not have to be paid at the time of registration, but do need to be settled before the first entered class begins. An open check may be left at the secretary's booth and settled at the end of the day. Refunds may be given for any class scratched at least three (3) classes in advance.
7. All additions must be made at least three (3) classes in advance. Any rider/handler in a class who is not registered may be asked to exit the ring and will not be judged in that class. Please plan accordingly to ensure you have time to come to the booth and make the addition appropriately-simply yelling your change into the secretary's booth is not acceptable.
8. In the event a check is returned for insufficient funds, NBARH will charge \$20 fee and the privilege of paying by check may be revoked and points accrued may be rescinded.

9. Any rider who wishes to be considered for a breed, color, barn, or age-specific award must put the required information on their entry forms. The show staff cannot guess and will not research this information.
10. Please be considerate of those working in the secretary's booth. Be consistent with your horse's name (i.e., if your horse is named Giant Gentle Ben, do not enter him in one show as Giant, one as Ben and one as Gentle Ben). In order to ensure that you receive all the appropriate year-end points, you must be consistent. Mind you, it is fine to use a shortened name or nickname/barn name as long as you use it consistently.

YEAR-END POINTS/ MEMBERSHIP

Joining NBARH Riding Club each spring will give you access to lower class fees (and all-day fees for gymkhana) and allow you to earn points towards our fabulous banquet awards each fall!

1. Year-end points will be determined using the following system regardless of the number of entries in the class:

1st place = 6 points	2nd place = 5 points	3rd place = 4 points	4th place = 3 points
	5th place = 2 points	6th place = 1 point	
2. Only members are eligible for year-end points and a horse/rider or horse/handler must enter in at least three out of four shows and must compete in each class three of four times to qualify for points in a particular class.
3. To qualify for points, a horse, pony, or miniature horse must be handled or ridden by the same person and that team must remain in the same division for three of the four shows.
4. Year-end points accumulate over all four shows, so it is in the best interest of the horse/rider or horse/handler team to come to all four shows and show in the same classes.
5. A member is allowed one horse substitution under the unfortunate circumstances that their current show horse should pass away during the current show year. The team must compete in the same division as the prior horse did to qualify for year endpoints. This does NOT count for any illness, lameness, or sale of horse during the season.

SHOW MANAGEMENT & JUDGING (Mini & Pleasure Shows only)

1. No person shall approach the judge regarding a decision or other matter unless they first obtain permission from the show management. Any exhibitor violating this rule will be asked to leave and will forfeit all fees. Judges will be asked to respect competitors by not approaching them except for brief schooling comments immediately at the end of a class.
2. Show management reserves the right to change judges, decline an entry, or vary or cancel any class.
3. Any class may be divided at the judge's discretion; very small classes may be combined, but each competitor will be asked and allowed to veto the combination. Year-end awards will be maintained for the separate classes.

APPROPRIATE DRESS

1. All riders/handlers are to dress according to the class in which they are entered and the style in which they show. That is, English attire with English tack and English way of moving; Western attire with Western Tack and Western way of moving.

** A judge may ask Western riders to do a posting trot and English riders to sit the trot.

2. NBARH welcome all disciplines that show on the flat and over fences, including hunt seat, dressage, saddle seat and western. We ask that you understand that we get a variety of judges, and a particular judge may not be expert in your style of showing. Should that be the case, please be open and use it as a great learning experience.
3. Rider's footwear must have at least a 1" heel. Show management reserves the right to question appropriateness of footwear for safety purposes.

CLASS RULES

1. The gate will close two minutes after the class is called to the ring. To hold the gate for a tack change, you must request a gate hold from the secretary's booth TWO CLASSES BEFORE the one you want held. The gate WILL NOT be held except in an emergency unless the request is made in advance. Feel free to let the secretary know all needed gate holds at the beginning of the day. The gate will be held for an additional two minutes only. If you are not in the arena by the time the gate closes, you will forfeit your class fee for that class.
2. Children riding leadline must show reasonable control of the horse at all times, both in and out of the show ring, while being led at the walk and trot/jog. Leaders must remain at the shoulder of the horse, may not speak except in an emergency, and must be at least 16 years old.
3. Each class will be run and pointed as long as there is at least one entrant.
4. The show rules, as written, will remain in effect for the entire show season. Any change will take effect the following year's show season.
4. **Handlers in leadline classes must be a minimum of 16 years of age.** All handlers must wear appropriate safe footwear (no sandals, flip flops, etc). Show management reserves the right to question appropriateness of footwear for safety purposes.

Gymkhana Rules

TACK ~ Western tack is common, English tack is welcome, too. Tack must be safe and allow exhibitors to be in control of their horse/pony at all times at the traveled speed allowed. If show management deems your tack unsafe for your speed you will be required to change tack in order to continue. NBarH encourages the humane treatment of all equines and assumes that you will not use any severe equipment. Management reserves the right to determine if equipment is severe and what penalty will be imposed should it be found so. Management reserves the right to disallow any exhibitor if they do not have control of their horse/pony for the safety of all present. If any exhibitor has special needs, please see show management and we will do our best to accommodate. Broken equipment is not allowed. If equipment breaks during a run, a rerun will be allowed. Equipment must be repaired or replaced before returning to the show ring. Multiple equipment “failures” will be scrutinized.

GYMKHANA EXHIBITOR ATTIRE ~ Long pants, boots and a long or short sleeved shirt are required. Absolutely no tank tops, cut-offs or rolled under t-shirt sleeves. Western attire is common, break out the bling! English attire is welcome, be bold and show your spirit! **Bareback is not allowed.**

All exhibitors regardless of age, must wear boots with at least 1 inch heel and an ASTM-SEI certified helmet while mounted anywhere on the showgrounds. No Work boots or sneakers of any type are allowed.

IN-GATE ~ The In-Gate is for the sole use of the riders entering and leaving the arena. This area must be kept clear of all other traffic, both on foot and mounted at all times!! This is for the safety of the spectators as well as the exhibitors. There will be a 2 minute gate call for each class and exhibitors are announced 3 in advance. There is plenty of time to get to the gate. Exhibitors must be at the gate and ready to enter the ring. If you are not at the gate you forfeit the class. **If there is a tack/mount change and you need a gate hold, you must notify management at check in in order to accommodate.**

POINTS ~ Each class will be run and pointed as long as there is at least one exhibitor.

PATTERNS ~ It is the responsibility of each exhibitor to understand the pattern for each class. Patterns will be set for the show year and will not change with the exception of the Challenge Class.. Patterns are posted on the wall of the Secretary's Booth facing the Equipment Shed during each show and @ www.NBarH.com all season!

FORFEITS ~ Unnecessary roughness, abuse of a horse, unsound horse, unsafe horse. Lack of required equipment, use of performance altering drugs, any throwing of equipment during an event.

WEATHER ~ All shows are held rain or shine. In the case of heavy rain causing unsafe footing and/or lightning, the show may be stopped temporarily or for the remainder of the show. In case of a show being canceled prior to start time, be sure to fill out your entry form completely (phone, email, other). Make up show will be run if there is an opening in the schedule.

RE-RUNS ~ In the event the timer does not properly function or the exhibitor was called off pattern but actually they were not exhibitors will be allowed a rerun.

Copies of this rule book are available online at www.nbarh.com

Year End/Day End Points

To accumulate year end points the same horse/rider combo must compete in the same class (division or open) for at least 3 shows in 1 series. Year end points accumulate through all 4 shows in a series.

Classes are pinned 1st-6th place.

1st place = 6 points 2nd place = 5 points 3rd place = 4 points 4th place = 3 points 5th place = 2 points 6th place = 1 point

Non-members and Members are eligible for Day End points.

Members only are eligible for Year End points.

Open classes do not count toward Day End points.

Open classes will accumulate Year End points as a single class. Open

class points will not be added to any division points.

An exhibitor is allowed 1 horse substitution under the unfortunate circumstances that their current show horse should pass away during the current show year. The new team must compete in the same division as the prior horse did to qualify for Year End Points. **This does NOT count for any illness, lameness or sale of horse during the season.**

Points in pairs classes do not count toward Sponsored Awards.

Please be aware that your hours must be done by the August Gymkhana show. If you do not complete your hours, you will forfeit all of your points and year-end awards, and you will be assessed a \$25 penalty to be added to the next year's membership

2025 Gymkhana Year End Sponsored Awards

Sportsmanship Award ~ Awarded to an exhibitor that clearly displays great sportsmanship throughout the season, both in the arena and on the show grounds. This exhibitor will lead by example, lift the spirits of others and give the spotlight to the ones that need it more.

Sponsored by:

NBarH Club Spirit Award ~ Awarded to an exhibitor with the most recognizable “club” spirit throughout the season. This exhibitor will be overflowing with spirit for everyone involved. They will lend a hand without being asked, give up their seat and even help another competitor though it might cost them the win. However, this competitor has already won!

Sponsored by:



2025 NBarH Year-End Sponsored Award

NBarH Riding Club

90 Green Hill Road, Barrington, NH

www.NBarH.com

Gymkhana Show VP: Kelsey Comtois

Email: kelseycomtois14@icloud.com Phone: (603)812-6994

Year End awards are presented to exhibitors in each of our series and presented at the annual Awards Banquet.. These awards recognize a wide variety of accomplishments within specific divisions, a particular breed or age, across shows, and much more. Awards can be in honor or memory of a horse, rider, barn, event, or for anything that is meaningful to the sponsor. The sponsorship is for 1 year, and can be renewed annually. Please also let us know if you would like to remain anonymous.

Awards are usually in the form of a trophy, plaque, or practical, only limited to your imagination. Sponsorships start at \$30, any amount you sponsor goes directly to the purchase of the award you create or choose. If you need assistance in defining what you would like to do, feel free to contact any of the board members who will be happy to assist you.

Show Name: _____

Award Title: _____

Special Message: _____

Sponsor Name: _____

Address: _____

Email and Phone #: _____

Please make payment and return or email sponsorship form by April 1, 2024

THANK YOU FOR YOUR SUPPORT!

OFFICE USE ONLY:

Check #: _____ Cash _____ Amount: \$ _____ Received by: _____

Date: _____

Show Dates

8 am start time

May 24th

June 28th

July 26th

August 23rd

SHOW FEES

Office Fee ~ \$5 per entry/per show

Late Entry Fee ~ \$10 per entry

Member Fees:

\$8 per Class

Non-Member Fees:

\$10 per class

Payments are only accepted the day of each show, cash or check only! Payment **MUST** be made at the booth before you enter the ring!

N BAR H RIDING CLUB MEMBERSHIP APPLICATION

- Please print clearly and legibly and complete all information.
- Age is as of January 1st of current year. Youth defined as under 18 years of age.
- A family membership is defined as a couple and children under the age of 18 residing at the same address and listed on the membership form.
- Membership entitles you to voting privileges (members over 14 years old), newsletter, reduced class rates, eligibility for year-end awards, and individual use of the ring when not already in use.

Name: _____

Farm Name _____

Mailing Address: _____

City, State, Zip: _____

Phone: _____ Email: _____

Youth Name: _____ Date of Birth: _____

Youth Name: _____ Date of Birth: _____

Youth Name: _____ Date of Birth: _____

Youth Name: _____ Date of Birth: _____

Membership Fees: Make checks payable to N-Bar-H

Mail form and payment to: Krista Zachary, 87 Poplar Hill Road, Lebanon, ME 04027

____ 4-H or College Student: \$25.00 + 2 volunteer hours per year. (Proof must be attached, youth only).

____ Individual: \$50 + 2 volunteer hours per year.

____ Family: \$75.00 + 4 volunteer hours per year.

Please be aware that your hours must be done by the August Gymkhana show. If you do not complete your hours, you will forfeit all of your points and year-end awards, and you will be assessed a \$25 penalty to be added to the next year's membership.

Please circle your interests: Pleasure Miniatures Gymkhana

Do Not Write Below This Line

Date Received: _____ Total Amt. Received: _____ Check #: _____ Cash: _____ Initials: _____

Divisions

In-Hand

Exhibitors must be 9 years old or older as of January 1, 2025. Exhibitors must have the ability to handle the horse or pony by themselves. Exhibitors must remain at the horses/ponies head or shoulder and MUST NOT run ahead or touch the horses/ponies head, except to avoid an accident or runaway, etc. Horses/ponies must walk or trot only. NO CANTERING ALLOWED. Exhibitors must make every attempt to properly hold the lead rope or reins while remaining at the horses/ponies head or shoulder while turning the horse/pony. DRAGGING OR PULLING THE horse/pony THROUGH THE COURSE IS AN AUTOMATIC 5 SECOND PENALTY.

All exhibitors regardless of age, must wear boots with at least 1 inch heel and an ASTM-SEI certified helmet while mounted anywhere on the showgrounds. No Work boots or sneakers of any type are allowed.

Leadline

Riders must be 9 years old or younger as of January 1, 2025. Handlers must be at least 16 years of age or older as of January 1, 2025. Handlers must remain at the horses/ponies head or shoulder and MUST NOT run ahead or touch the horses/ponies head or the rider except to avoid an accident (a fall or a runaway, etc.). DRAGGING OR PULLING THE HORSE/PONY THROUGH THE COURSE IS AN AUTOMATIC 5 SECOND PENALTY. Exhibitors must walk and trot only. NO CANTERING ALLOWED. Riders must exhibit an attempt to ride the horse/pony, properly hold the reins and steer the horse/pony themselves.

All exhibitors regardless of age, must wear boots with at least 1 inch heel and an ASTM-SEI certified helmet while mounted anywhere on the showgrounds. No Work boots or sneakers of any type are allowed.

Walk/Trot Youth

Exhibitors must be 17 years old or younger as of January 1, 2025. Exhibitors will be disqualified if they break gait (canter) for more than 2 strides during the entire run. This means that if a rider canters 2 strides, then trots, then canters 1 stride that counts as 3 canter strides and is a disqualification. Walk/Trot exhibitors MUST remain Walk/Trot even in Open classes. Exhibitors must be in control of their horse/pony at all times.

All exhibitors regardless of age, must wear boots with at least 1 inch heel and an ASTM-SEI certified helmet while mounted anywhere on the showgrounds. No Work boots or sneakers of any type are allowed.

Walk/Trot Adult

Open to exhibitors 18 years old or older as of January 1, 2025. Exhibitors will be disqualified if they break gait (canter) for more than 2 strides during the entire run. This means that if a rider canters 2 strides, then trots, then canters 1 stride that counts as 3 canter strides and is a disqualification. Walk/Trot exhibitors MUST remain Walk/Trot even in Open classes. Exhibitors must be in control of their horse/pony at all times.

All exhibitors regardless of age, must wear boots with at least 1 inch heel and an ASTM-SEI certified helmet while mounted anywhere on the showgrounds. No Work boots or sneakers of any type are allowed.

Walk/Trot/Canter Youth

Exhibitors must be 17 years old or younger as of January 1, 2025. Exhibitors must be in control of their horse/pony at all times.

All exhibitors regardless of age, must wear boots with at least 1 inch heel and an ASTM-SEI certified helmet while mounted anywhere on the showgrounds. No Work boots or sneakers of any type are allowed.

Walk/Trot/Canter Adult

Exhibitors must be at least 18 years old or older as of January 1, 2025. Exhibitors must be in control of their horse/pony at all times.

All exhibitors regardless of age, must wear boots with at least 1 inch heel and an ASTM-SEI certified helmet while mounted anywhere on the showgrounds. No Work boots or sneakers of any type are allowed.

Descriptions, Disqualifications and Penalties

Exhibitors MUST ride in compliance with division descriptions. EX: IN Hand, Leadline, WT, WTC
ALL CLASSES HAVE PRINT OUT ATTACHED

1-6. TURN N BURN - Pattern may be run in either direction. Timer will start/stop when you cross the laser line. Cross the start/finish line and race to the barrel. Go a full 360 degrees around the barrel and run back across start/finish line.

7-12. BIRANGLE - Pattern may be run in either direction. Timer will start/stop when you cross the laser line. Cross the start/finish line and race to the barrels, around 1st barrel, straight across to 2nd barrel, around 2nd barrel and return across the start/finish line.

13-18. STREAKING POLES - Pattern may be run in either direction. Timer will start/stop when you cross the laser line. Cross the start/finish line, race through the poles around the rail of the arena and across the start/finish line.

19-24. CHALLENGE - Timer will start/stop when you cross the laser line. Challenge class will be different each show! Challenge patterns will be posted on the Gymkhana facebook page on the first of the show month.

25-30. CLOVERLEAF BARRELS - Pattern may be run in either direction. Timer will start/stop when you cross the laser line. Race to the right and make a right turn around the 1st barrel. Next, to the left and left turn around the 2nd barrel. Finally, make a left turn around the 3rd barrel and race home. You must finish between 1st and 2nd barrel across the start/finish line. OR- Race to the left and make a left turn around the 1st barrel. Next to the right and right turn around the 2nd barrel. Finally, make a right turn around the 3rd barrel and race home. You must finish between the 1st and 2nd barrel across the start/finish line.

31-36. CUPID'S ARROW - Pattern may be run in either direction. Timer will start/stop when you cross the laser line. Race straight through the poles toward the 3 barrels. Turn either right or left and race around the outside of all 3 barrels. Then race straight through the poles to cross the start/finish line.

37-42. CAT'S CRADLE - Pattern may be run in either direction. Timer will start when you cross the laser line. Weave The first barrel, weave in the opposite direction around the second barrel, weave around the third barrel in the opposite direction from the second and run to the fourth barrel to weave again. Run back to the first barrel and weave in the opposite direction from the first time and cross the start/finish line.

The show day patterns are posted on the wall of the Secretary's Booth facing the Equipment Shed. It is the responsibility of the exhibitors to know the patterns for the classes they enter.

Disqualifications

- ★ Unnecessary roughness, abuse of a horse, unsound horse, unsafe horse. Any show of blood on the horse
- ★ Lack of required equipment, use of performance altering drugs, any throwing of equipment during an event
- ★ Failure to follow patterns or cross the start line within one minute of entering the arena
- ★ Fall or reversal of direction

Penalties

- ★ Knockdown of a barrel/pole, 5 second penalty for each offense

Turn N Burn



105'

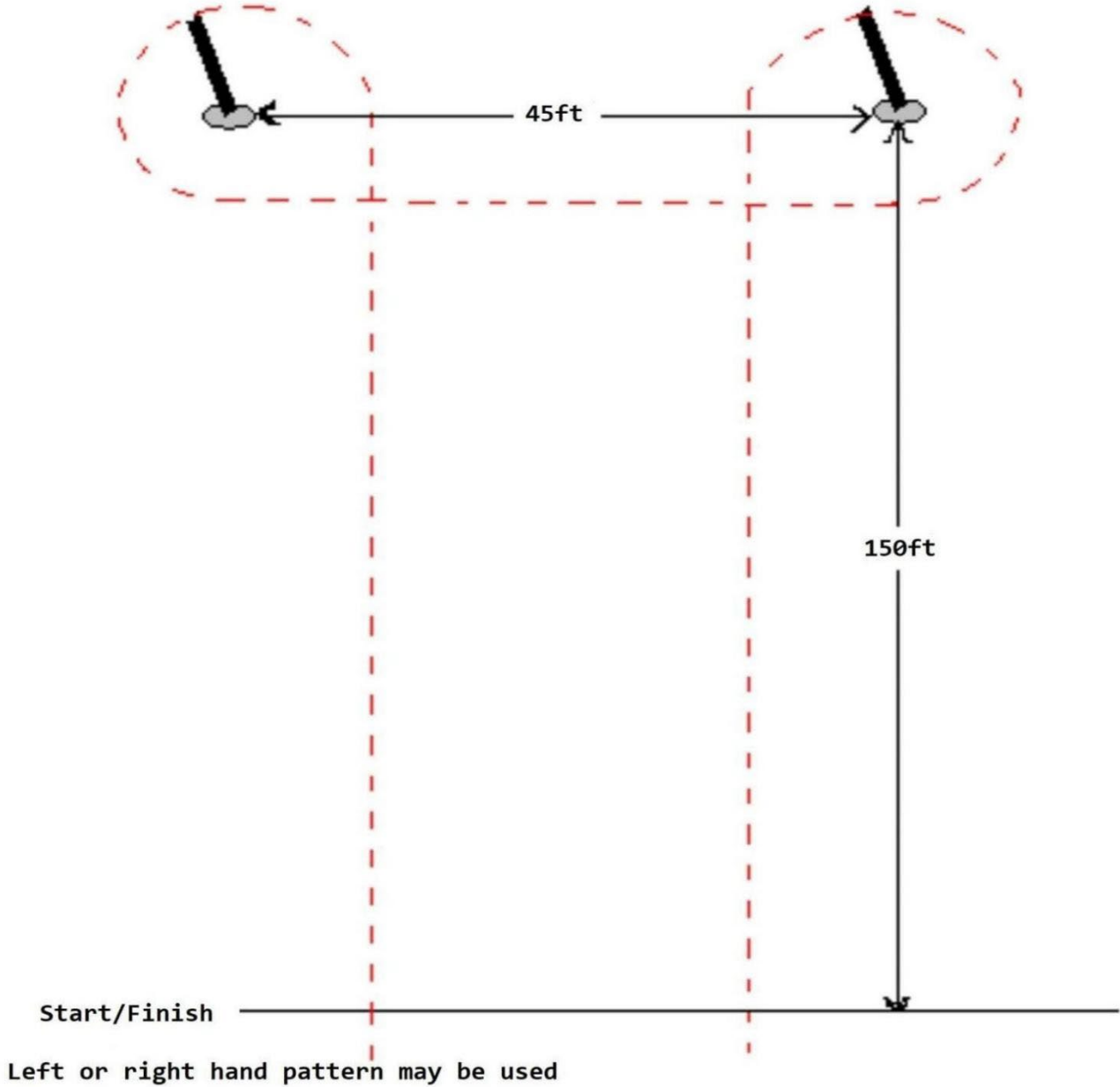
Timer Line



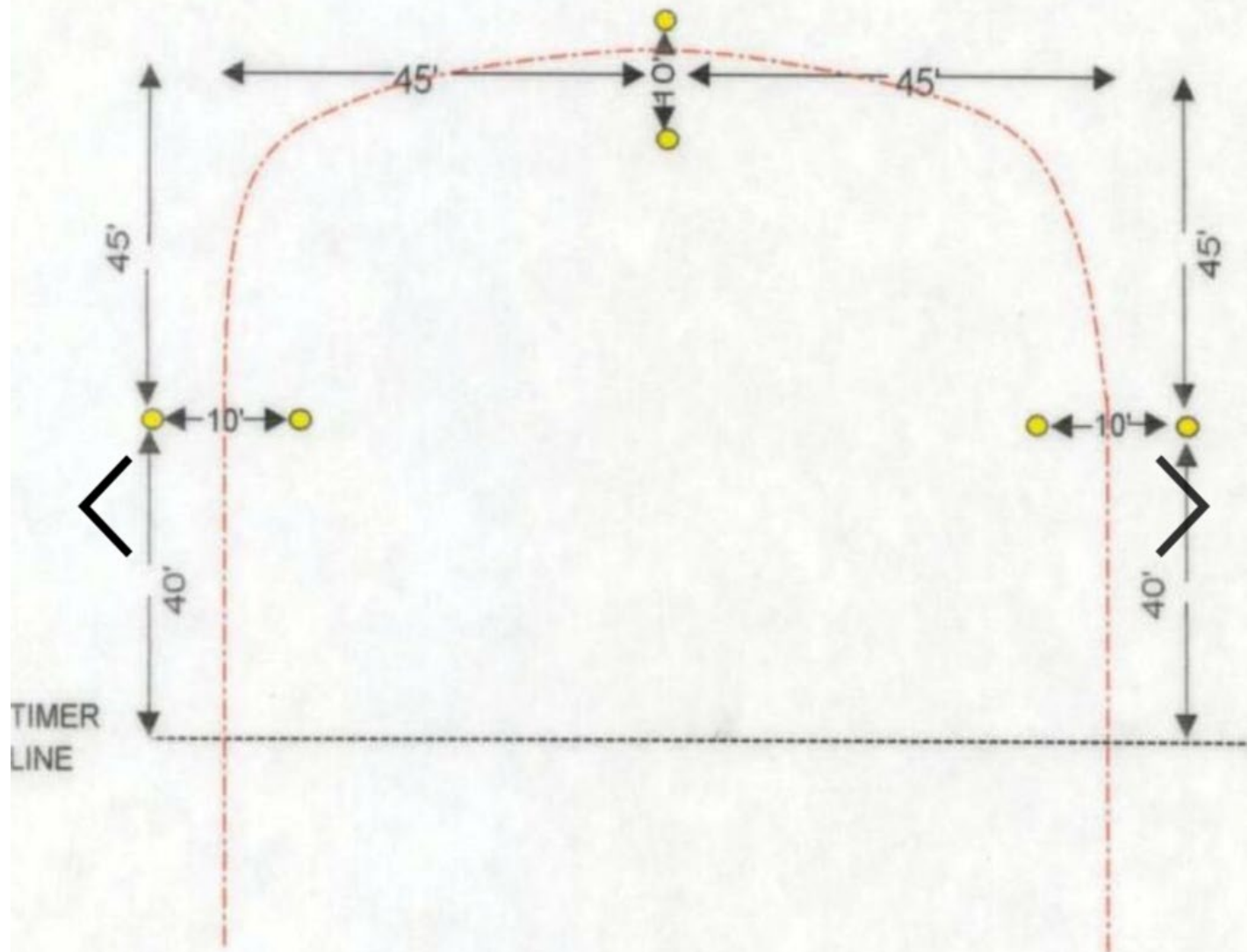
Left or right hand pattern may be used.
Props: 1 large barrel.



Birangle



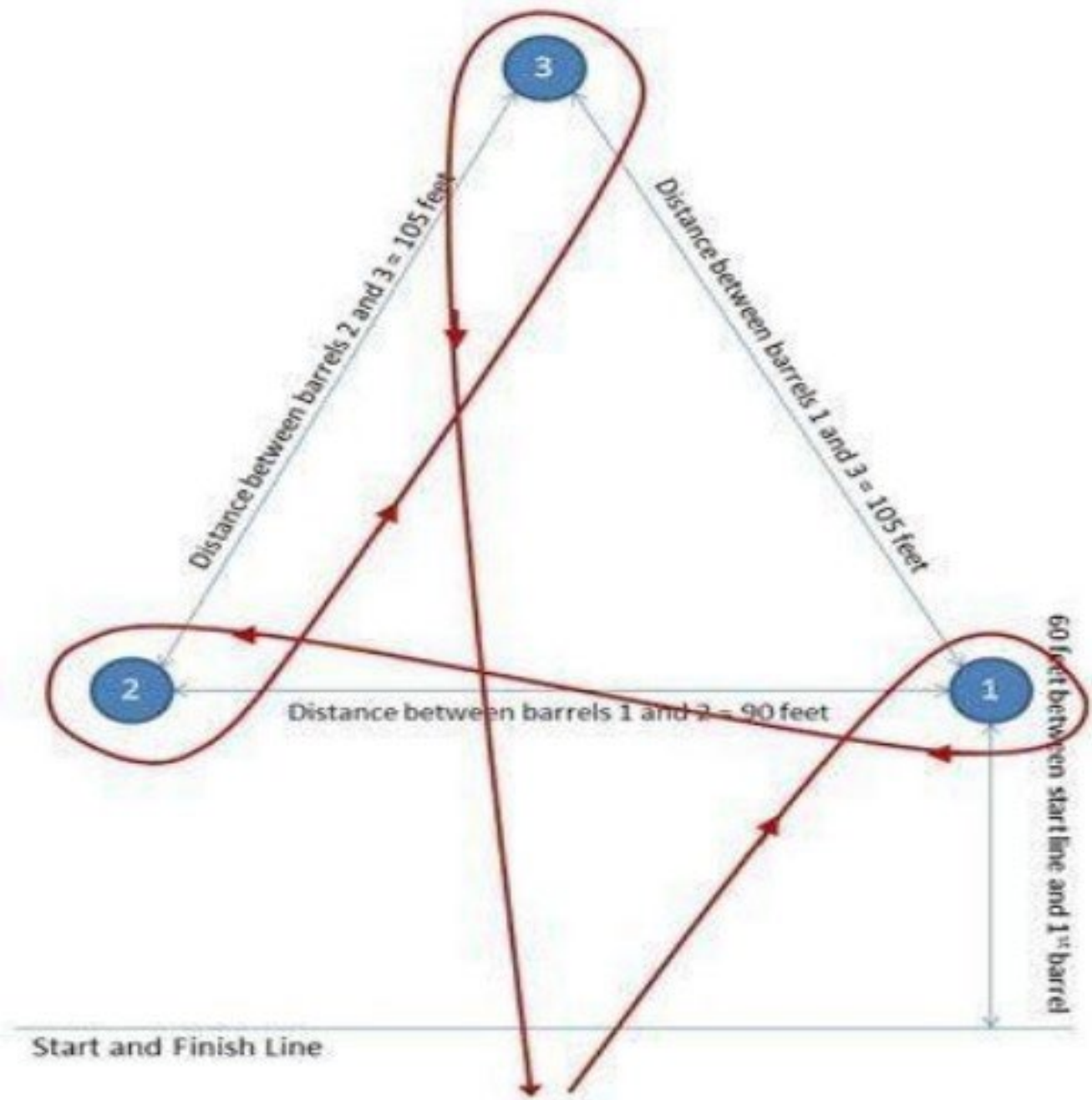
STREAKING POLES



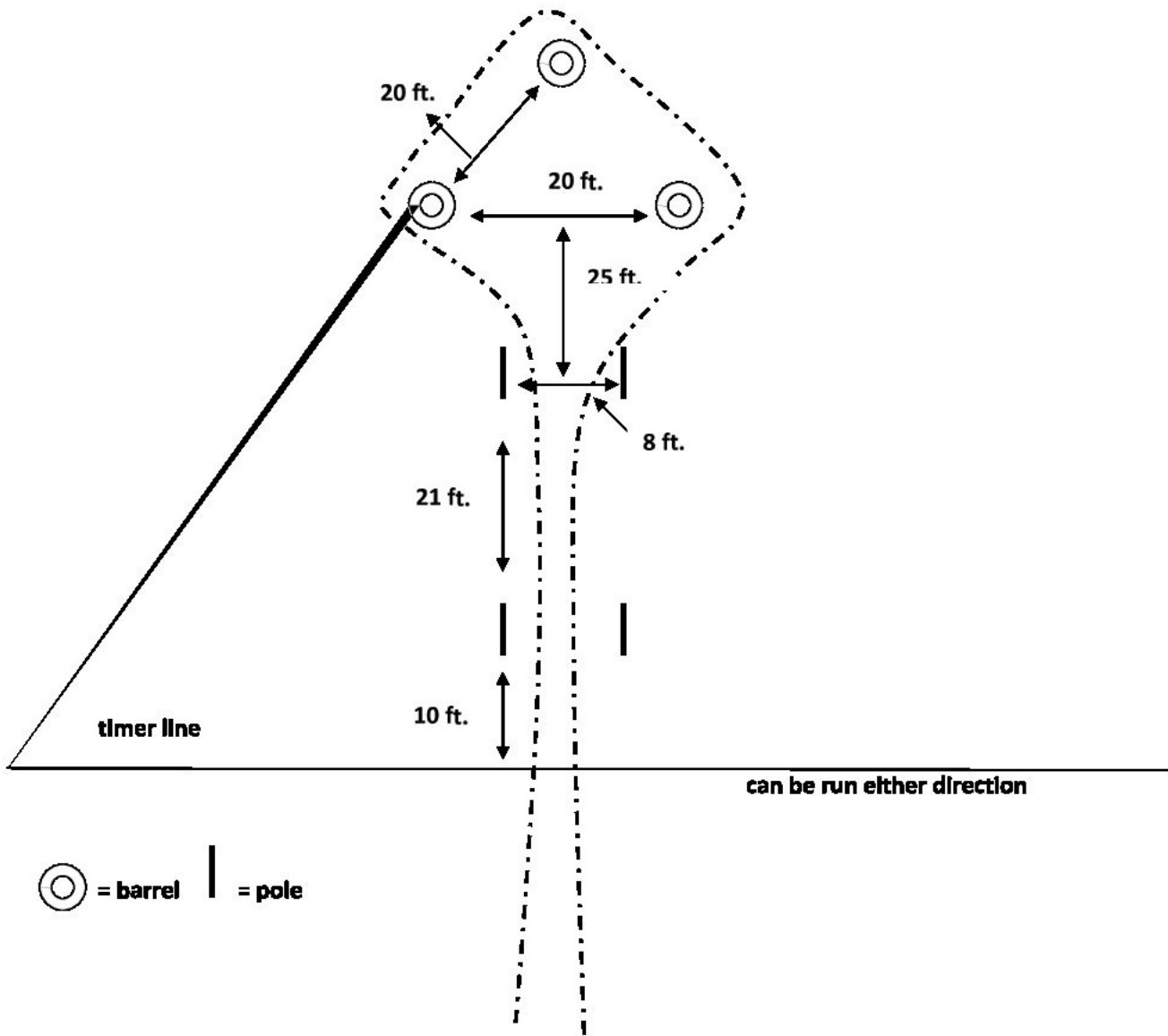
Left or right hand pattern may be used. Six poles are to be used.

Cloverleaf Barrels

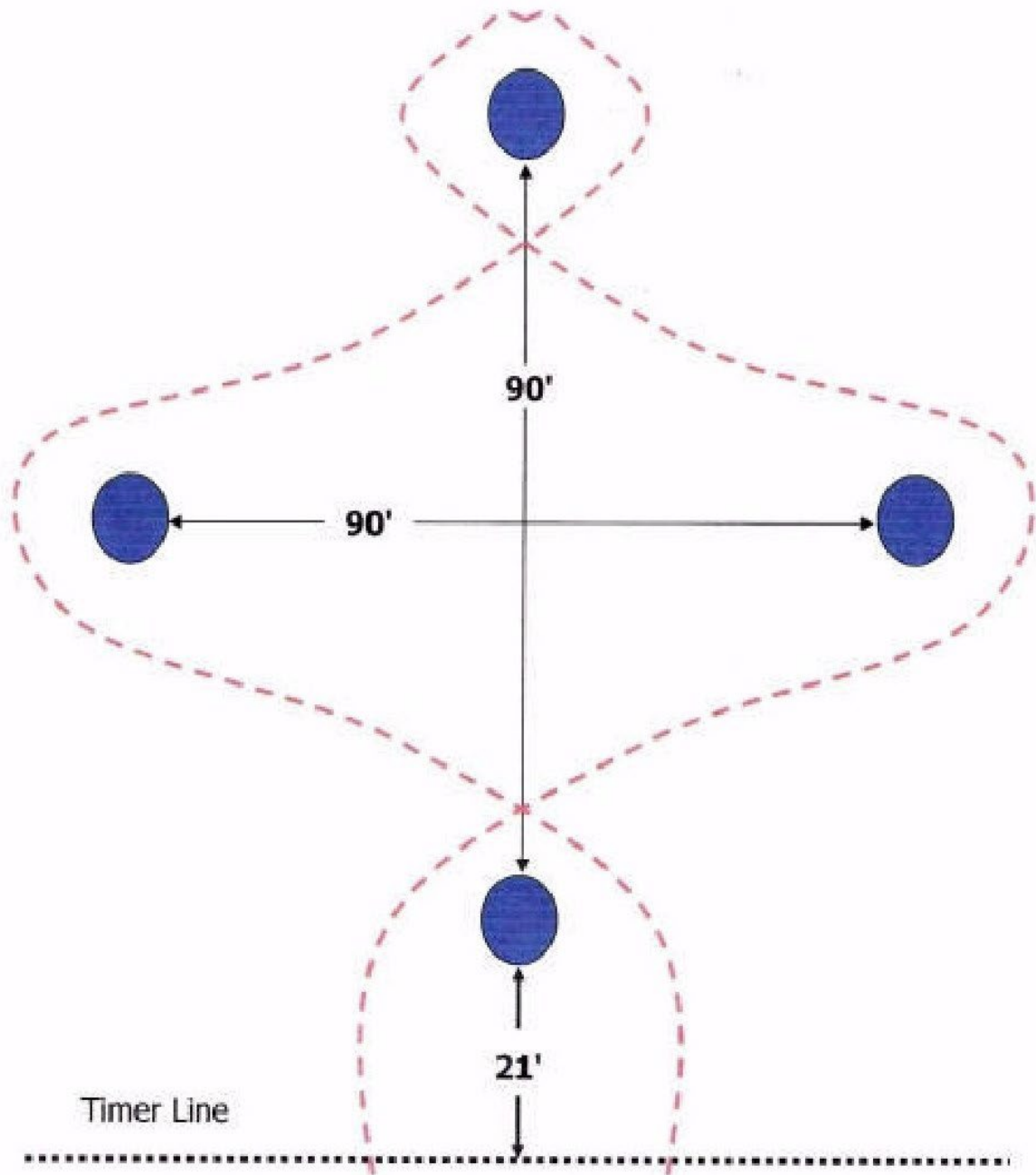
Barrel Racing Set-up and Riding Pattern



Cupid's Arrow



Cat's Cradle



Left or right hand pattern may be used.
Props: 4 large barrels.

NBarH Gymkhana 2025 Class List

May 24th

June 28th

July 26th

August 23rd

1. Turn N Burn In-Hand
2. Turn N Burn Leadline
3. Turn N Burn W/T Youth
4. Turn N Burn W/T Adult
5. Turn N Burn WTC Youth
6. Turn N Burn WTC Adult
7. Birangle In-Hand
8. Birangle Leadline
9. Birangle W/T Youth
10. Birangle W/T Adult
11. Birangle WTC Youth
12. Birangle WTC Adult
13. Streaking Poles In-Hand
14. Streaking Poles Leadline
15. Streaking Poles W/T Youth
16. Streaking Poles W/T Adult
17. Streaking Poles WTC Youth
18. Streaking Poles WTC Adult
19. Challenge In-Hand
20. Challenge Leadline
21. Challenge W/T Youth
22. Challenge W/T Adult
23. Challenge WTC Youth
24. Challenge WTC Adult
25. Cloverleaf Barrels In-Hand
26. Cloverleaf Barrels Leadline
27. Cloverleaf Barrels W/T Youth
28. Cloverleaf Barrels W/T Adult
29. Cloverleaf Barrels WTC Youth
30. Cloverleaf Barrels WTC Adult
31. Cupid's Arrow In-Hand
32. Cupid's Arrow Leadline
33. Cupid's Arrow W/T Youth
34. Cupid's Arrow W/T Adult
35. Cupid's Arrow WTC Youth
36. Cupid's Arrow WTC Adult
37. Cat's Cradle In-Hand
38. Cat's Cradle Leadline
39. Cat's Cradle W/T Youth
40. Cat's Cradle W/T Adult
41. Cat's Cradle WTC Youth
42. Cat's Cradle WTC Adult

NBarH 2025 Gymkhana Entry Form

May 24

June 28

July 26

August 23

Exhibitor Name _____ Age _____ Member _____

HorseName _____ Coggins Expiration _____

Age _____ Breed _____ Color _____

Address _____

Phone _____ Email _____

Barn/Trainer _____

PICK 1 DIVISION

In Hand Lead Line WT Youth WT Adult WTC Youth WTC Adult

CLASSES List class #'S you would like to enter in numerical order

\$8 per class Member \$10 per class Non-Member \$10 Late Entry Fee

Number of classes _____ X Class Fee \$ _____ = Total Class Fees \$ _____

Office Fee **\$5** per show + total class fees \$ _____ + late entry \$ _____ = Total Owed \$ _____

As per NH State Code Section 508:19, NBarH shall not be liable for an injury to or the death of a participant resulting from the inherent risks of equine activities and no participant's representative shall make any claim against, maintain an action against, or recover from any other person for injury, loss, damage or death of a participant resulting from any of the inherent risks of equine activities. Each participant in an equine activity expressly assumes the risk of and legal responsibility for any injury, loss or damage to person or property that results from participation in an equine activity. I give my permission for photographs and/or videos of me and/or my horse(s) to be used on N Bar H's web- site and in their materials. I also give my permission for my first name and horse's name to be posted on NBar H's website for standings results. **All exhibitors, regardless of age, must wear boots with at least 1 inch heel and an ASTM-SEI certified helmet while mounted anywhere on the showgrounds.**

Signature of Exhibitor _____ Date _____

Parent/Guardian if Exhibitor is a minor

PrintName _____ Phone _____

Sign _____ Date _____

EMAIL PRE-ENTRIES & COGGINS TO: Kelsey Comtois kelseycomtois14@icloud.com

